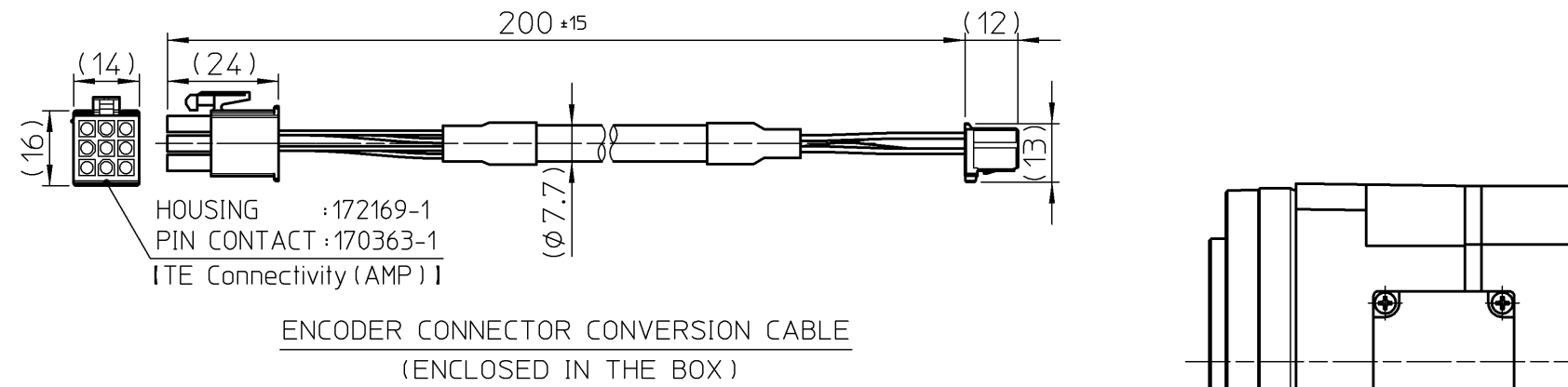
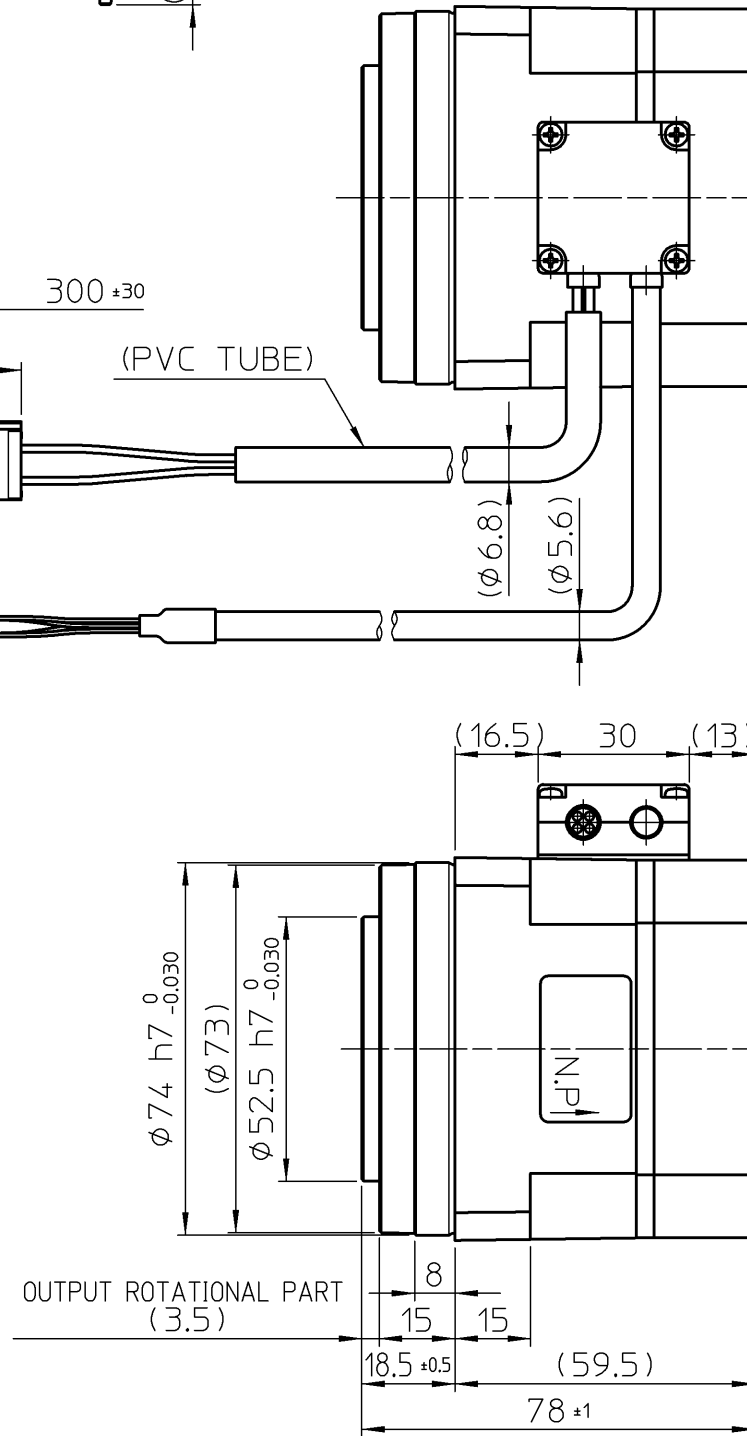
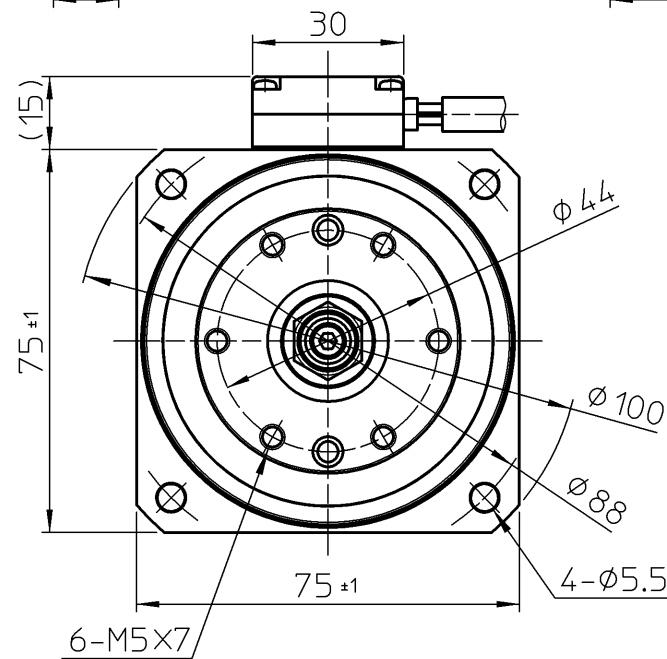
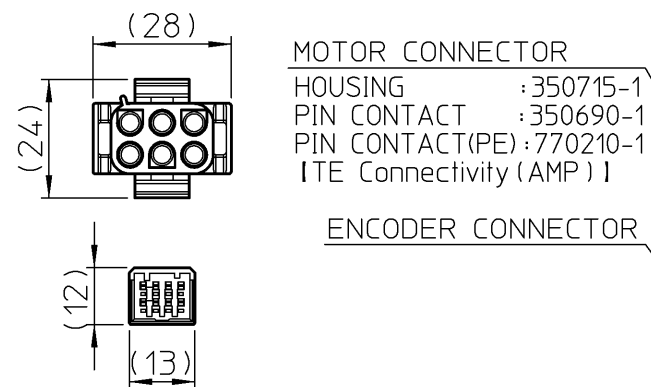


[FOR SERVO AMPLIFIER]

[FOR ACTUATOR]



ENCODER CONNECTOR CONVERSION CABLE
(ENCLOSED IN THE BOX)



REMARKS

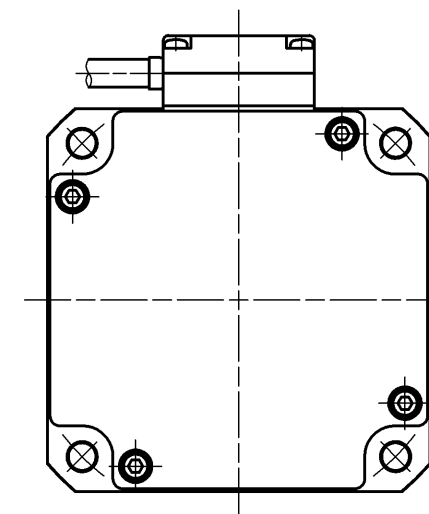
1. SPECIFICATION OF ENCODER: THE FORMAT CORRESPONDING TO MINAS
2. DESIGNING AND/OR HANDLING OF HarmonicDrive® ACTUATORS HAS TO COMPLY WITH TECHNICAL INFORMATION SHOWN IN FHA-Cmini SERIES MANUAL CORRESPONDING TO MINAS A6.
3. EXTENSION CABLE: [EWD-MB**-A06-TN-P SERIES] (FOR MOTOR)
4. ENCODER'S EXTENSION CABLE IS OPTIONAL OF THE COMBINATION SERVO AMPLIFIER.
(PLEASE USE ENCODER CONNECTOR CONVERSION CABLE)
5. MAGNETIC NOISE RESISTANCE: 0.01 T
6. REGISTERED TRADEMARKS IN JAPAN.

MOTOR CONNECTOR

PIN No.	COLOR	SIGNAL
1	RED	U
2	BLACK	V
3	WHITE	W
4	GREEN/YELLOW	PE
5	—	—
6	—	—

ENCODER CONNECTOR CONVERSION CABLE

PIN No.	COLOR	SIGNAL
1	ORANGE	BAT+
2	GRAY	BAT-
3	SHIELD	FG
4	YELLOW	PS
5	BLUE	PS
6	—	—
7	RED	E5V
8	BLACK	E0V
9	—	—



PROPRIETORSHIP
This drawing (document) is the **PROPERTY** of Harmonic Drive Systems, Inc. and shall not be traced, otherwise copied or used for purposes other than agreed upon, nor communicated to any third party without written permission of Harmonic Drive Systems, Inc.

訂正 REV	来歴 DESCRIPTION	設計 DESIGN	検図 VRFD	承認 APPD	タイトル TITLE
		T.AKASAKA	T.ICHIKAWA	K.FURUTA	CONFIRMATION DRAWING
仕様 SPEC		Aug- 2-19	Aug- 6-19	Aug- 6-19	製品名 ARTICLE
機械加工無記号公差	0 0.5 6 30 120 315 1000				FHA-14C-100-14S17bG-C-A6
GENERAL TOLERANCE	±0.05 ±0.1 ±0.2 ±0.3 ±0.5 ±0.8 ±1.2				
備考 REMARKS	特記無き角はCO. 2以下、すみの丸みはRO. 4以下	尺度 SCALE	1:1.5	DWG SIZE	A3
無記号表面アラス	50S 25S 6.3S	UNIT	mm	THIRD ANG	
SURFACES MARKED EXCEPT AS NOTED					
本図は(株)ハーモニック・ドライブ・システムの所有に係わるものです。許可なく第三者に見せたり、トレースその他の複写及び指定された用途以外には使用しないで下さい。					図番 DWG No C003226