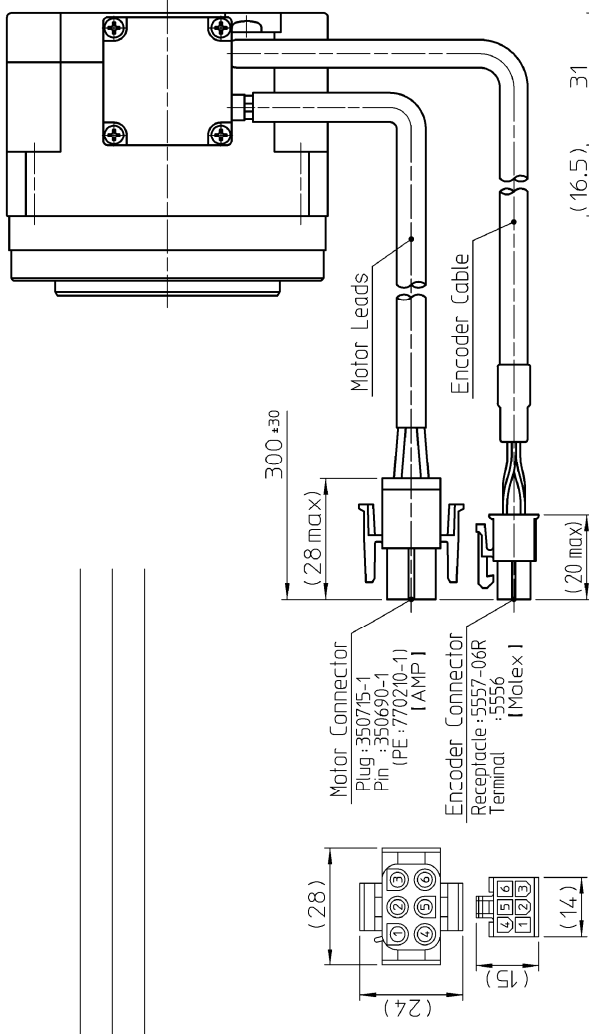


REMARKS

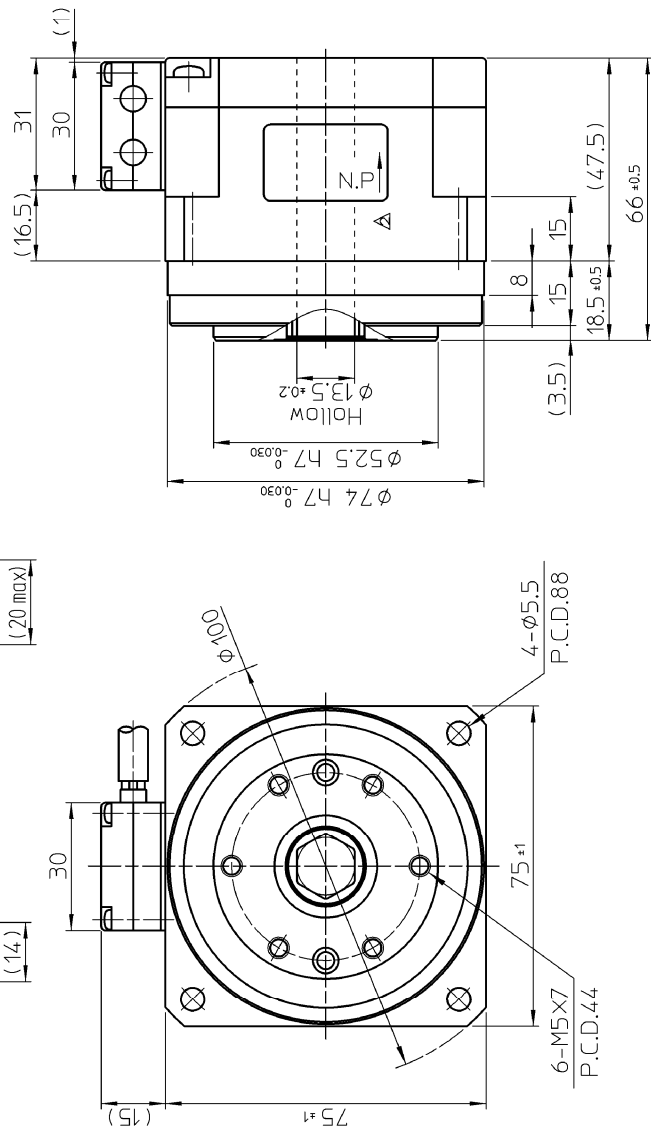


Motor Connector

PIN No.	Color	Signal
1	Red	U
2	White	V
3	Black	W
4	Green/Yellow	PE
5	—	—
6	—	—

Encoder Connector

PIN No.	Color	Signal
1	Red	+5V
2	Black	0V
3	Yellow	SD
4	Blue	SD
5	—	—
6	—	Shield



PROPRIETORSHIP
 This drawing (document) is the **PROPERTY** of Harmonic Drive Systems, Inc. and shall not be traced, otherwise copied or used for purposes other than agreed upon, nor communicated to any third party, without written permission of Harmonic Drive Systems, Inc.

CUSTOMER DRAWING NO.

訂正 REV	仕様 DESCRIPTION	承認 DATE	設計 DESIGN	校閲 CHECKED	承認 APPROVED	タイトル TITLE
0	40-8594A01	30	Y.Saito	T.Hirabayashi	H.TSUKAHARA	Dec-27-12
1		120				Dec-27-12
2		120				Dec-27-12
3		120				
4		120				
5		120				
6		120				
7		120				
8		120				
9		120				
10		120				
11		120				
12		120				
13		120				
14		120				
15		120				
16		120				
17		120				
18		120				
19		120				
20		120				
21		120				
22		120				
23		120				
24		120				
25		120				
26		120				
27		120				
28		120				
29		120				
30		120				
31		120				
32		120				
33		120				
34		120				
35		120				
36		120				
37		120				
38		120				
39		120				
40		120				
41		120				
42		120				
43		120				
44		120				
45		120				
46		120				
47		120				
48		120				
49		120				
50		120				
51		120				
52		120				
53		120				
54		120				
55		120				
56		120				
57		120				
58		120				
59		120				
60		120				
61		120				
62		120				
63		120				
64		120				
65		120				
66		120				
67		120				
68		120				
69		120				
70		120				
71		120				
72		120				
73		120				
74		120				
75		120				
76		120				
77		120				
78		120				
79		120				
80		120				
81		120				
82		120				
83		120				
84		120				
85		120				
86		120				
87		120				
88		120				
89		120				
90		120				
91		120				
92		120				
93		120				
94		120				
95		120				
96		120				
97		120				
98		120				
99		120				
100		120				
101		120				
102		120				
103		120				
104		120				
105		120				
106		120				
107		120				
108		120				
109		120				
110		120				
111		120				
112		120				
113		120				
114		120				
115		120				
116		120				
117		120				
118		120				
119		120				
120		120				