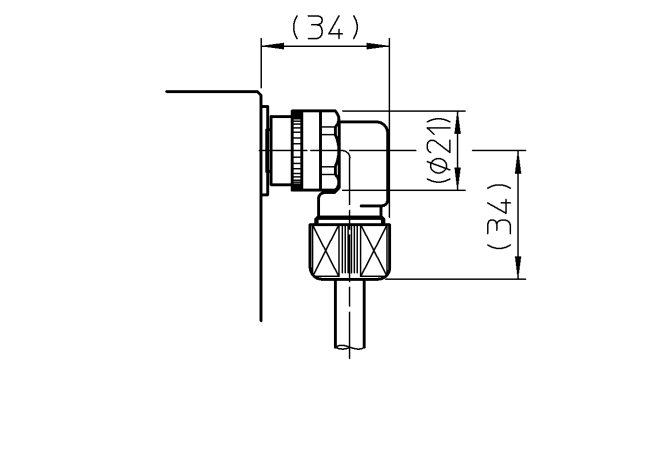
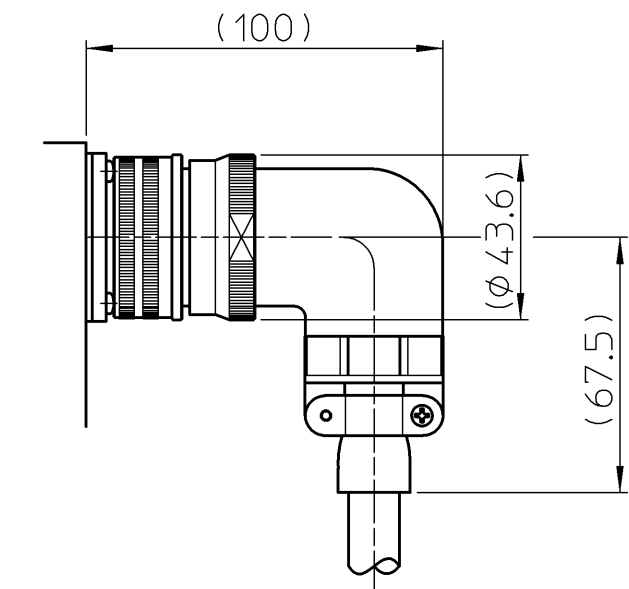
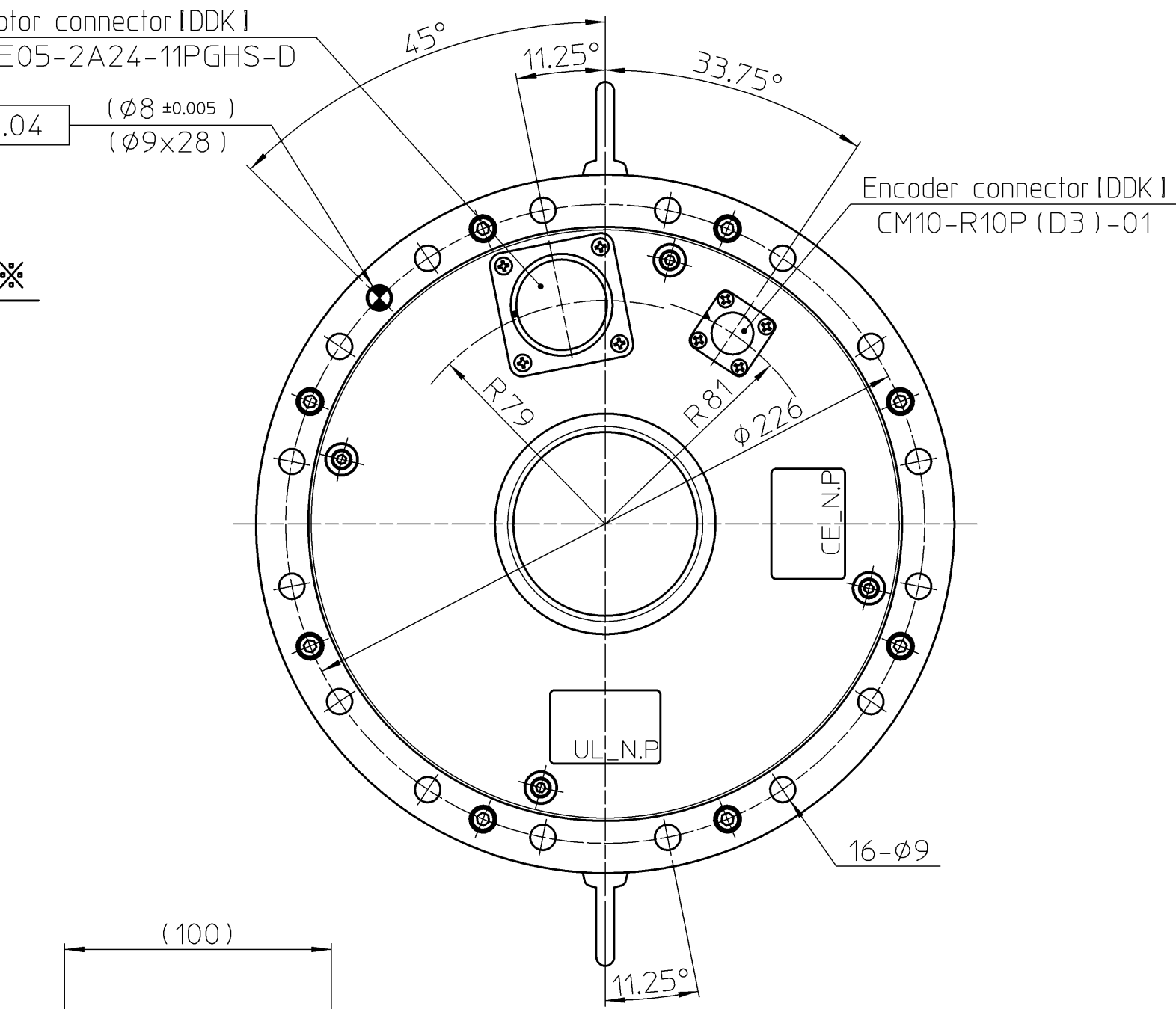
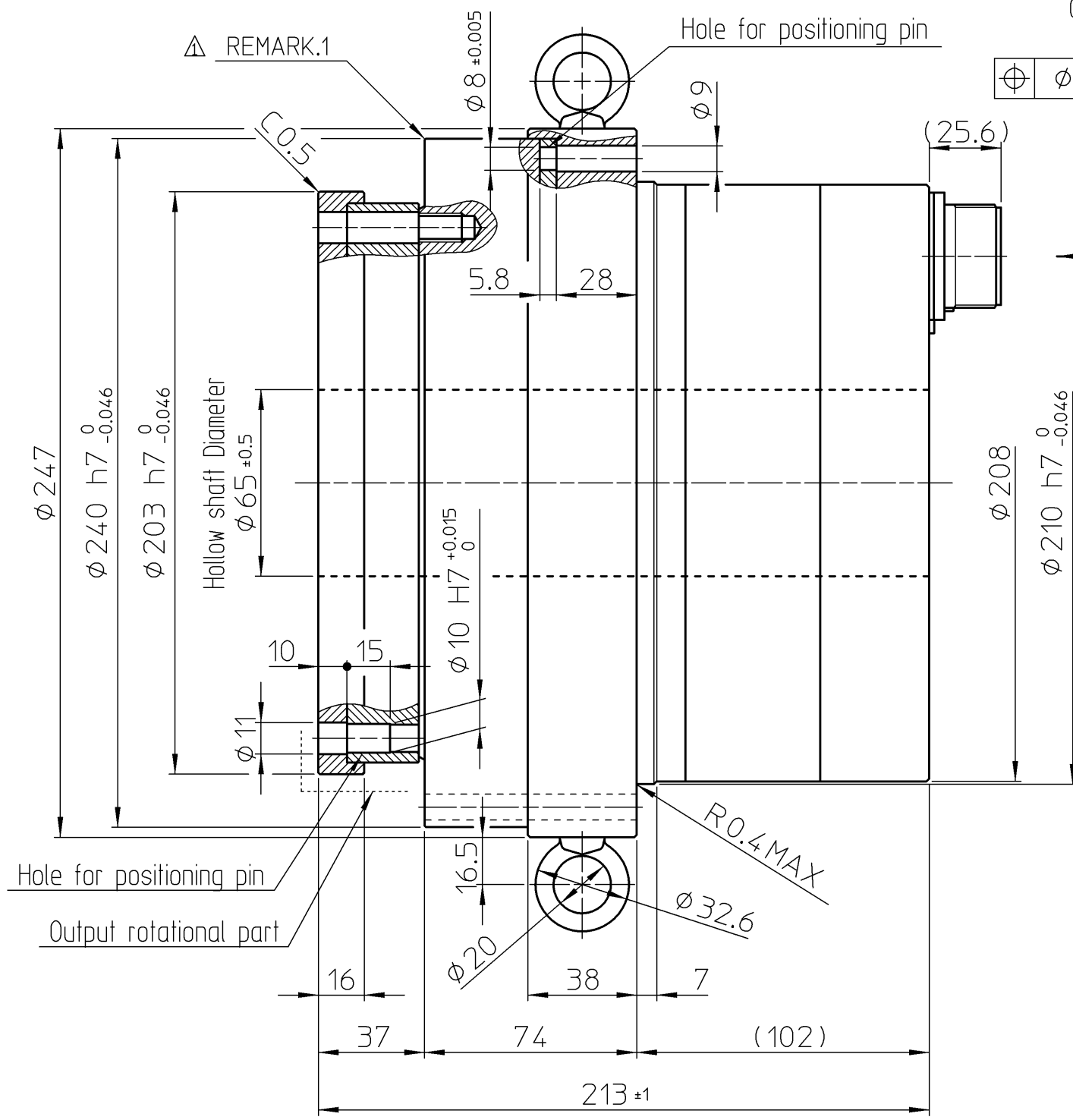
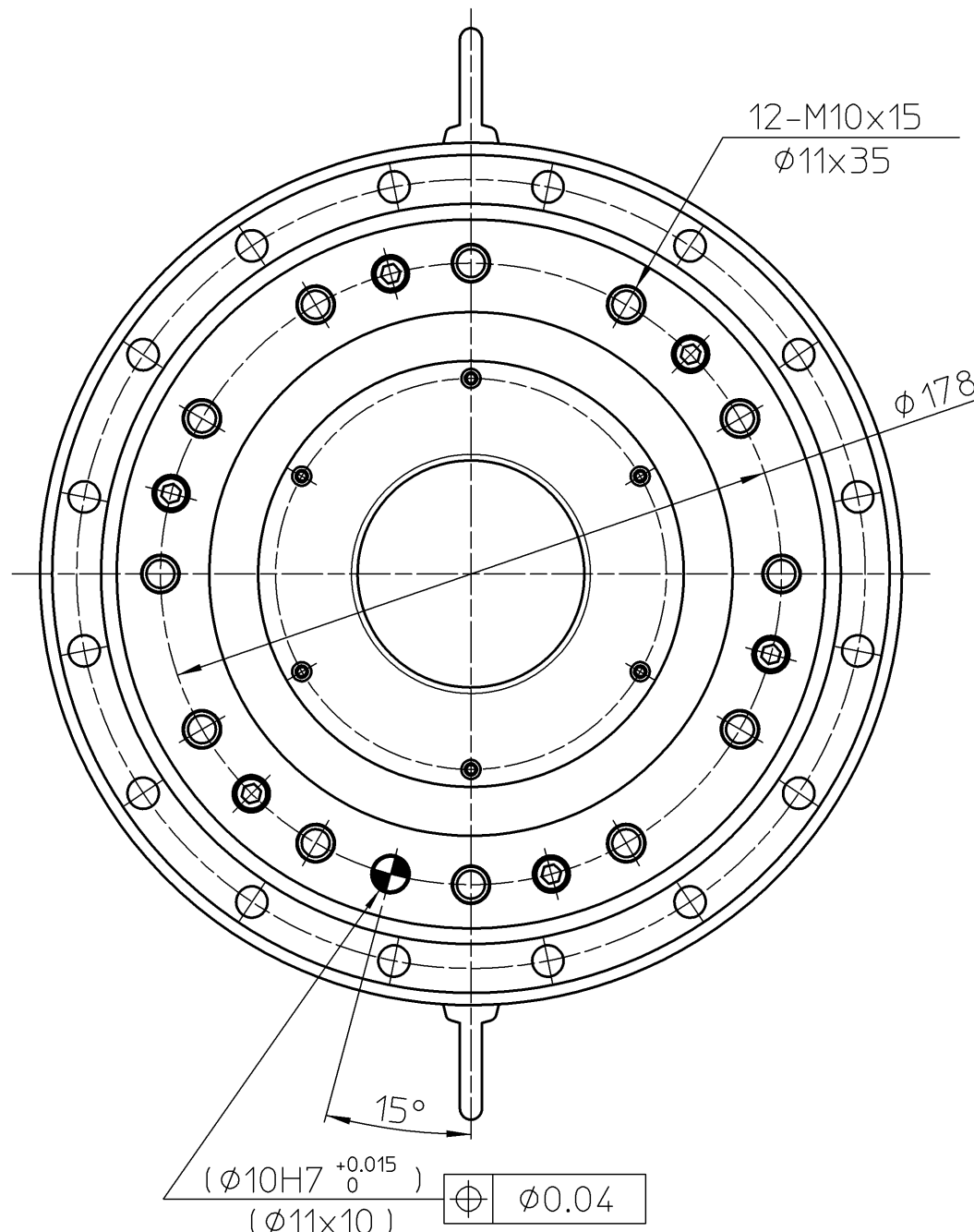


Motor connector

Pin No.	Name
A	-
B	-
C	-
D	U
E	V
F	W
G	PE
H	PE
I	-

Encoder connector

Pin No.	Signal	Pin No.	Signal
1	Vbat	6	—
2	GND (bat)	7	—
3	—	8	SD+
4	Vcc	9	SD-
5	GND (Vcc)	10	FG



- REMARKS
- △ 1. In case of using the following area as a mounting pilot, please undercut its counterpart.
  - 2. Designing and/or Handling of HarmonicDrive® Actuators has to comply with technical information shown in HarmonicDrive® Catalog.
  - 3. Extension Cables : IEWD-MB Series | IEWD-S Series |
  - 4. Registered Trademark in Japan.

**PROPRIETORSHIP**  
This drawing (document) is the PROPERTY of Harmonic Drive Systems, Inc. and shall not be traced, otherwise copied or used for purposes other than agreed upon, nor communicated to any third party without written permission of Harmonic Drive Systems, Inc.

CUSTOMER DRAWING NO.

訂正 REV	1	来歴 DESCRIPTION	Change drawing to comply with actual product. Add a Remark.
仕様 SPEC		備考 REMARKS	特記無き角はCO. 2以下、寸みの丸みはRO. 4以下
機械加工無記号公差 GENERAL TOLERANCE	0 0.5 6 30 120 315 1000 0.5 6 30 120 315 1000 2000	無記号表面アラサ SURFACES MARKED EXCEPT AS NOTED	50S 25S 6.3S
	±0.05 ±0.1 ±0.2 ±0.3 ±0.5 ±0.8 ±1.2		

設計 DESIGN	T.Hirabayashi	Nov- 13-14	タイトル TITLE	
検図 CHECKED	N.NAKAMURA	Nov- 13-14	製品名 ARTICLE	SHA58A101SG-A21A200-10S17bA-C
承認 APPD	T.Yamagishi	Nov- 13-14		

DWG SIZE UNIT THIRD ANG  
A2 mm



OUTLINE DRAWING  
図番 DWG No B2T0150 - A