

ENCODER CONNECTOR

HOUSING :1-1903130-4
 TAB CONTACT :1903117-2
 ITE Connectivity (AMP) I

MOTOR/BRAKE CONNECTOR

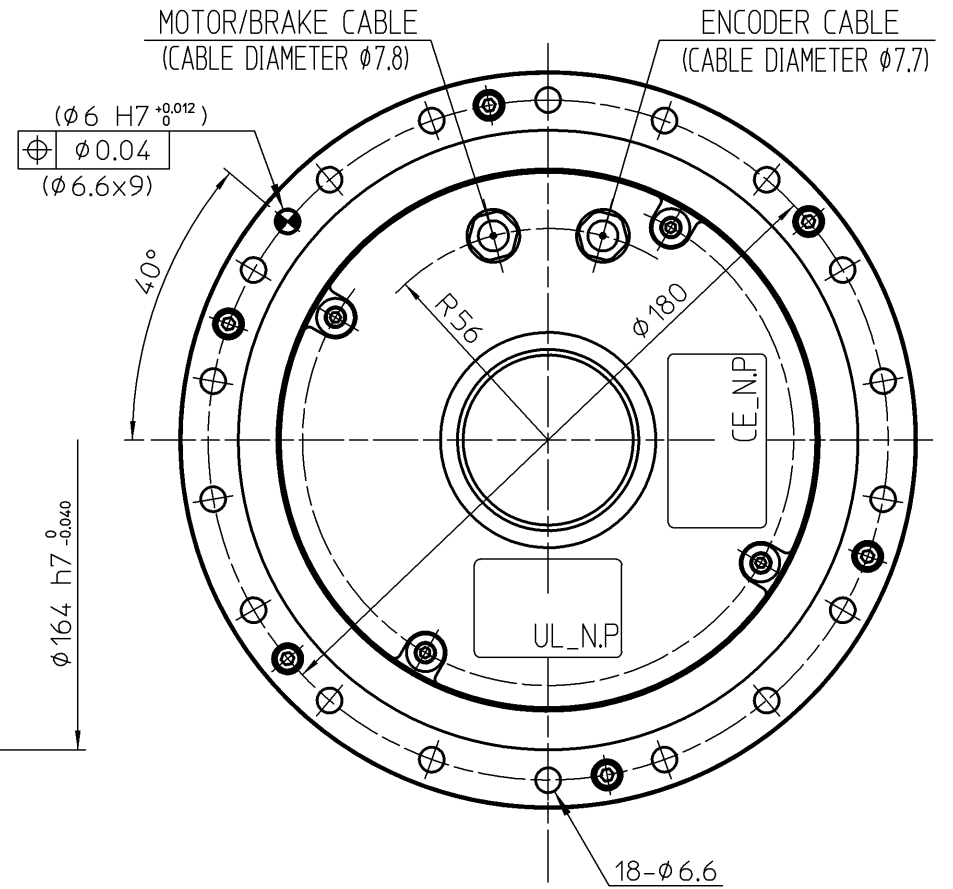
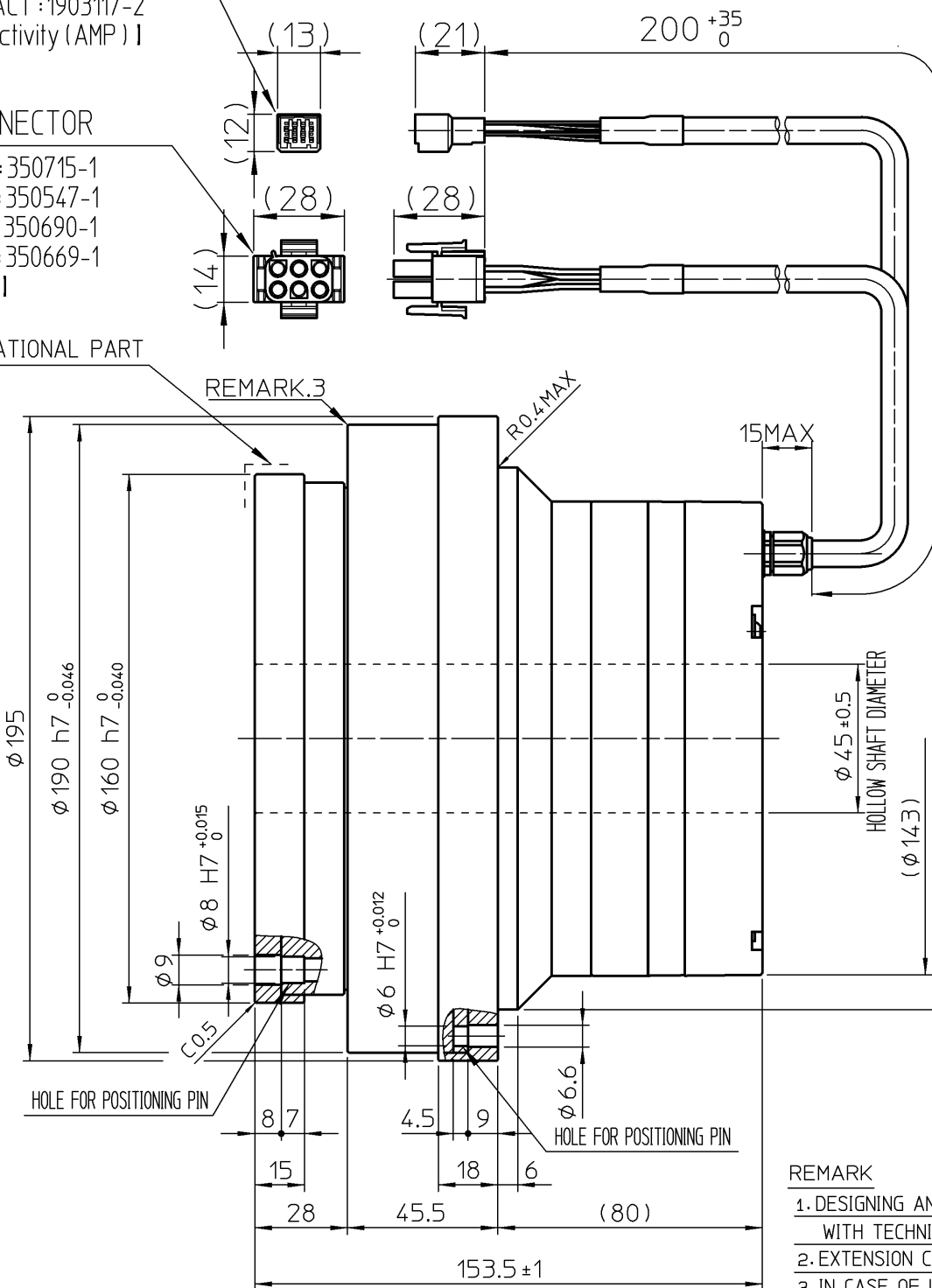
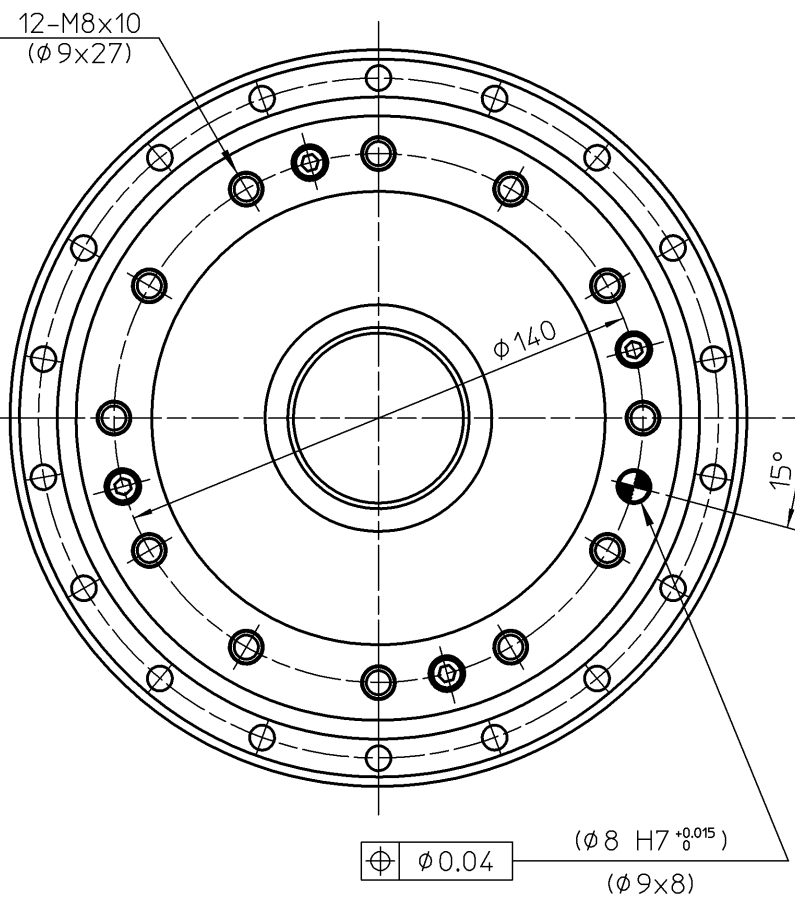
HOUSING :350715-1
 PIN CONTACT (U·V·W) :350547-1
 PIN CONTACT (BRAKE) :350690-1
 PIN CONTACT (PE) :350669-1
 ITE Connectivity (AMP) I

MOTOR/BRAKE CONNECTOR

PIN NO.	COLOR	SIGNAL
1	RED	U
2	WHITE	V
3	BLACK	W
4	GREEN/YELLOW	PE
5	BLUE	BRAKE
6	YELLOW	BRAKE

ENCODER CONNECTOR

PIN NO.	COLOR	SIGNAL
1A	RED	Vcc
2A	YELLOW	SD+
3A	-	-
4A	ORANGE	Vbat
1B	BLACK	GND(Vcc)
2B	BLUE	SD-
3B	SHIELD	FG
4B	GRAY	GND(bat)



PROPRIETORSHIP
 This drawing (document) is the **PROPERTY** of Harmonic Drive Systems, Inc. and shall not be traced, otherwise copied or used for purposes other than agreed upon, nor communicated to any third party without written permission of Harmonic Drive Systems, Inc.

- REMARK
- DESIGNING AND/OR HANDLING OF Harmonic Drive® ACTUATORS HAS TO COMPLY WITH TECHNICAL INFORMATION SHOWN IN SHA SERIES MANUAL.
 - EXTENSION CABLES : (EWD-MB SERISE) (EWD-S SERISES)
 - IN CASE OF USING THE FOLLOWING AREA AS A MOUNTING PILOT, PLEASE UNDERCUT ITS COUNTERPART.
 - REGISTERED TRADEMARK IN JAPAN

訂正 REV	来歴 DESCRIPTION	設計 DESIGN T.AKASAKA May-16-19	タイトル TITLE CONFIRMATION DRAWING
仕様 SPEC		検図 VRFD T.Hirabayashi May-17-19	製品名 ARTICLE
機械加工無記号公差 GENERAL TOLERANCE	備考 REMARKS : 特記無き角はCO.2以下、すみの丸みはRO.4以下	承認 APPD T.ICHIKAWA May-17-19	SHA45A101SG-D16B200-10S17bA-C
0 0.5 6 30 120 315 1000	無記号表面アラス 50S 25S 6.3S	DWG SIZE A3	図番 DWG No C002472 -
0.5 6 30 120 315 1000	SURFACES MARKED EXCEPT AS NOTED	UNIT mm	
±0.05 ±0.1 ±0.2 ±0.3 ±0.5 ±0.8 ±1.2		THIRD ANG	
		SCALE 1:2	