

Motor connector

Pin No.	Color	Name
1	Red	U
2	White	V
3	Black	W
4	Green/Yellow	PE
5	—	—
6	—	—

Encoder connector

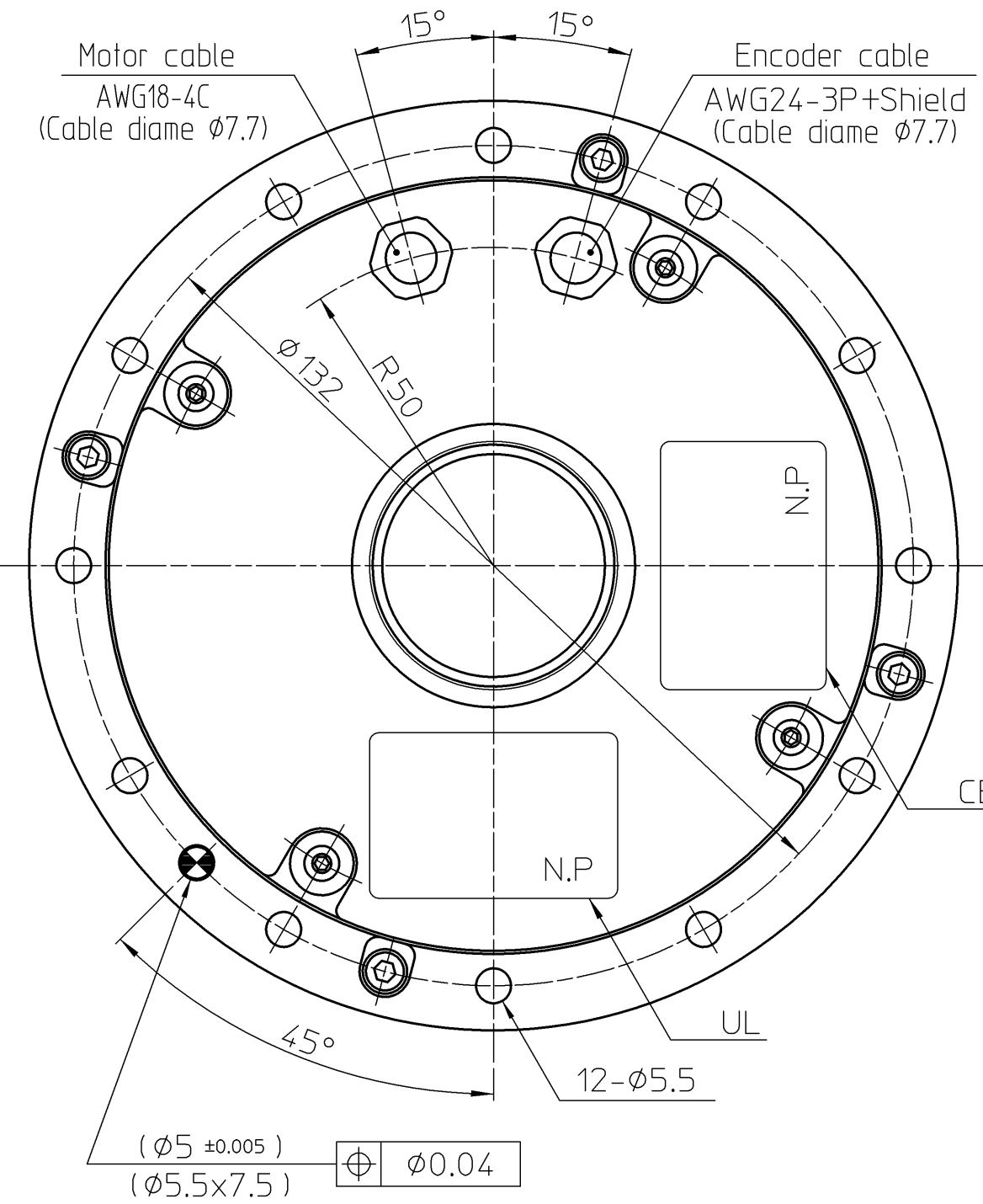
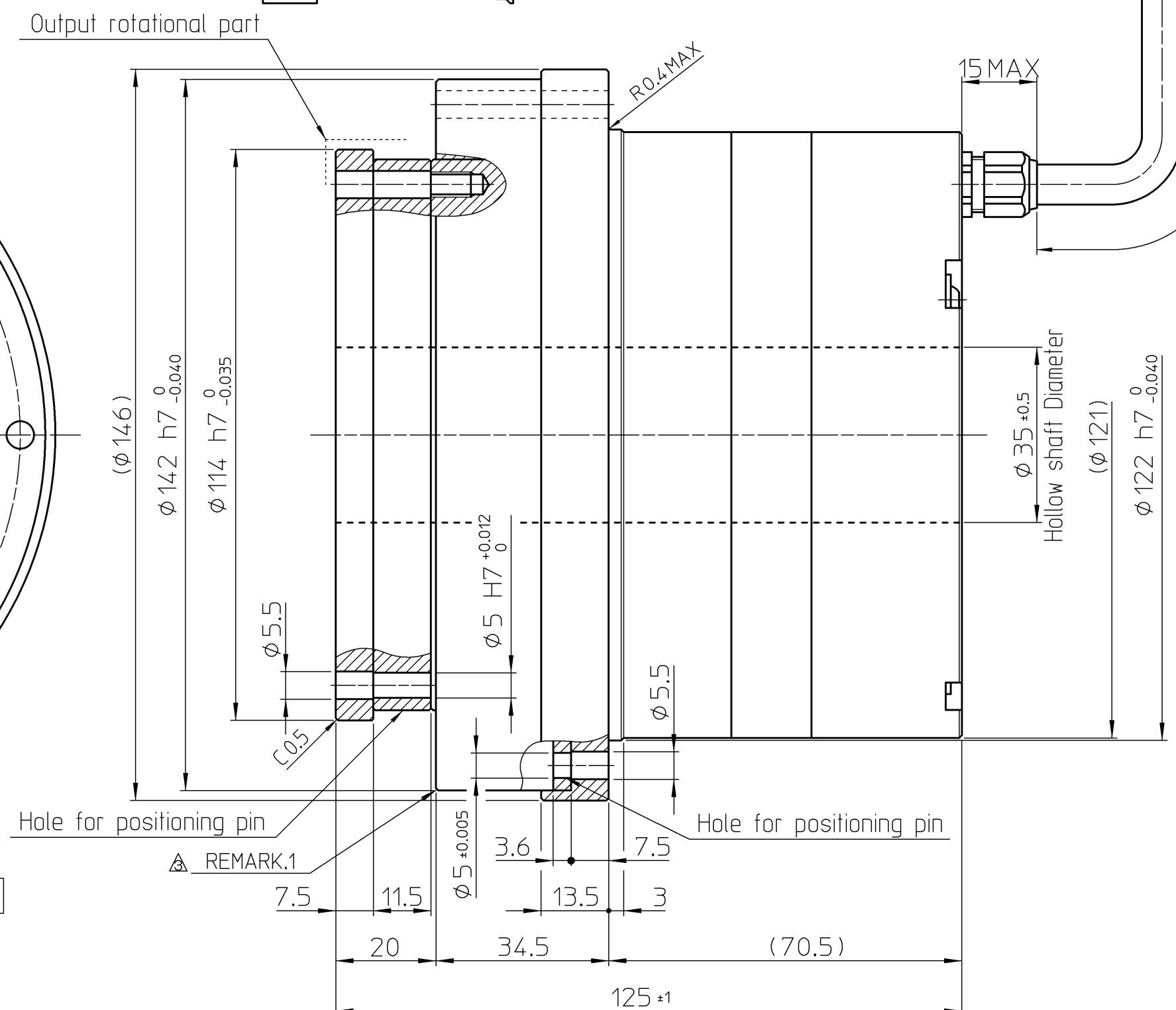
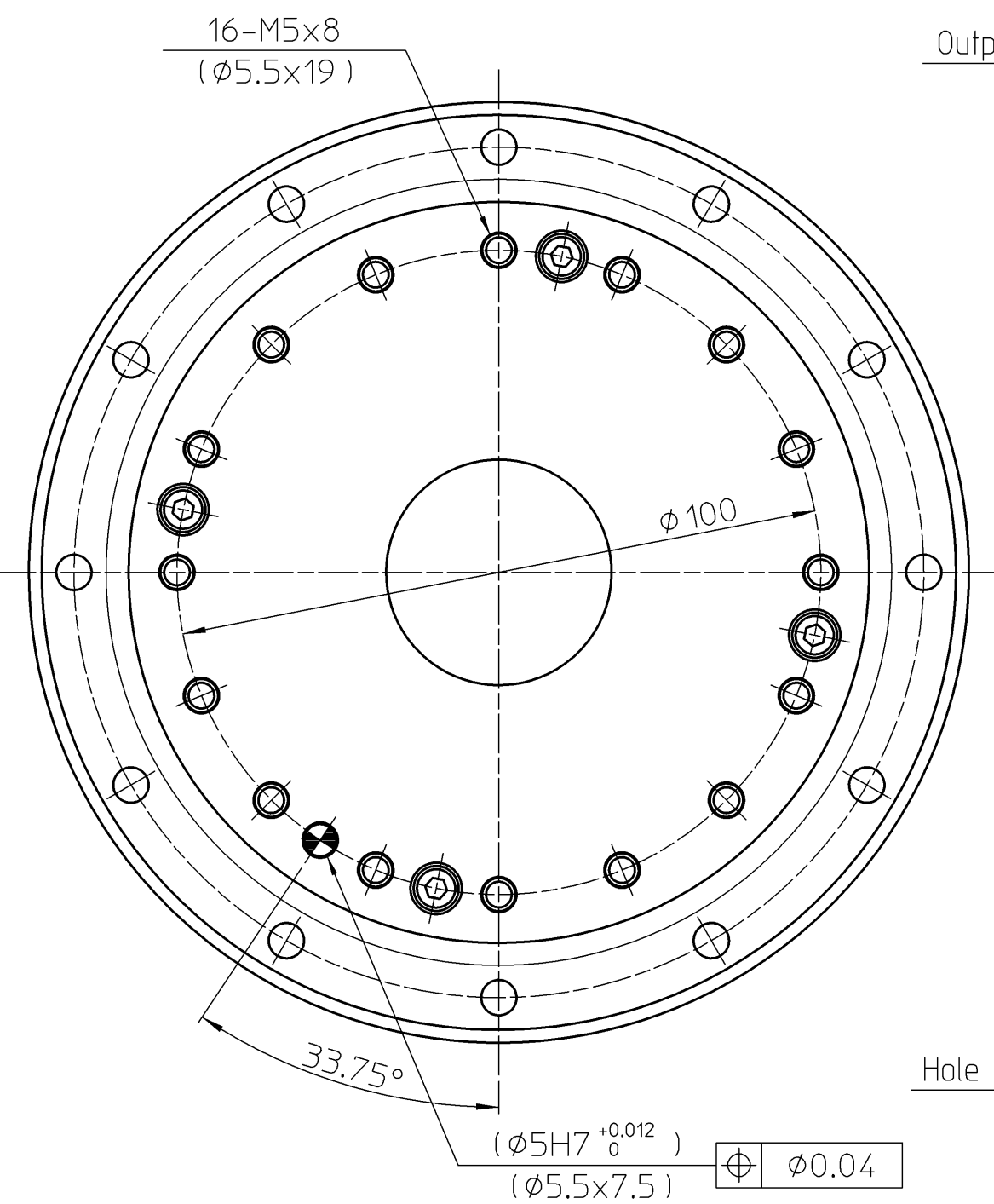
Pin No.	Color	Signal	Pin No.	Color	Signal
1A	Red	Vcc	1B	Black	GND (Vcc)
2A	Yellow	SD+	2B	Blue	SD-
3A	—	—	3B	Shield	FG
4A	Orange	Vbat	4B	Gray	GND (bat)

Encoder connector

Housing : 1-1903130-4 1AMP
 Tab contact : 1903117-2 1AMP

Motor connector

Housing : 350715-1 1AMP
 Pin contact (Motor U·V·W) : 350547-1 1AMP
 Pin contact (Motor PE) : 350669-1 1AMP



REMARKS

- 1. In case of using the following area as a mounting pilot, please undercut its counterpart.
- 2. Designing and/or Handling of HarmonicDrive® Actuators has to comply with technical information shown in HarmonicDrive® Catalog.
- 3. Extension Cables : IEWD-MB Series | IEWD-S Series |
- 4. Registered Trademark in Japan.

PROPRIETORSHIP
 This drawing (document) is the PROPERTY of Harmonic Drive Systems, Inc. and shall not be traced, otherwise copied or used for purposes other than agreed upon, nor communicated to any third party without written permission of Harmonic Drive Systems, Inc.

CUSTOMER DRAWING NO.

訂正 REV 3	来歴 DESCRIPTION	Change drawing to comply with actual product. Add a Remark.
仕様 SPEC	備考 REMARKS	特記無き角はCO. 2以下、寸みの丸みはRO. 4以下
機械加工公差 GENERAL TOLERANCE	無記号表面アラサ SURFACES MARKED EXCEPT AS NOTED	50S 25S 6.3S

設計 DESIGN	T.Hirabayashi	Oct-30-14	タイトル TITLE
検図 VRFD	T.ICHIKAWA	Oct-30-14	製品名 ARTICLE
承認 APPD	T.HAGIWARA	Oct-30-14	SHA32A***SG-B12A200-10S17bA-C
HARMONIC DRIVE SYSTEMS INC. TOKYO JAPAN			OUTLINE DRAWING
図番 DWG No			B2T0029 - C