

Motor connector

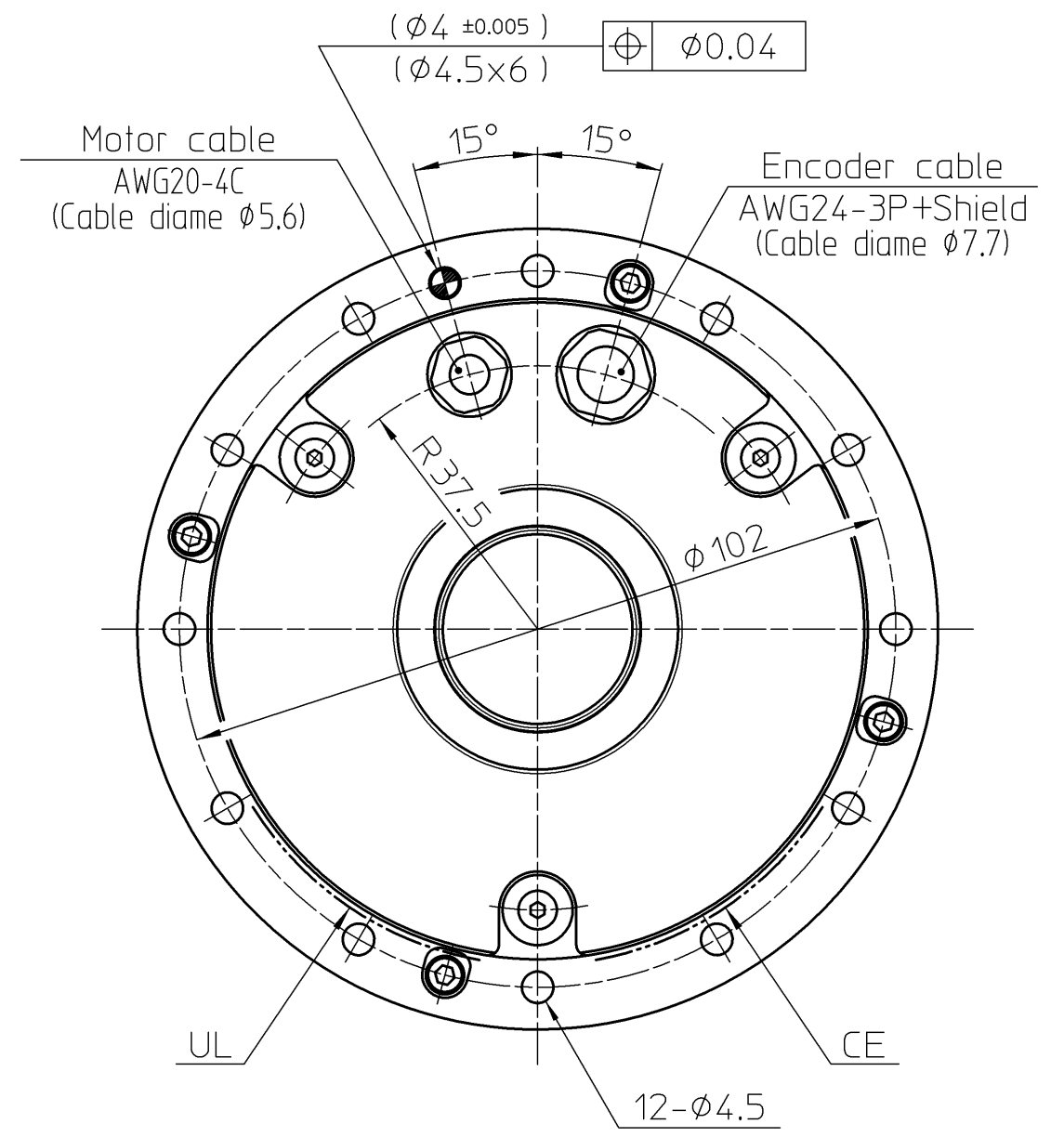
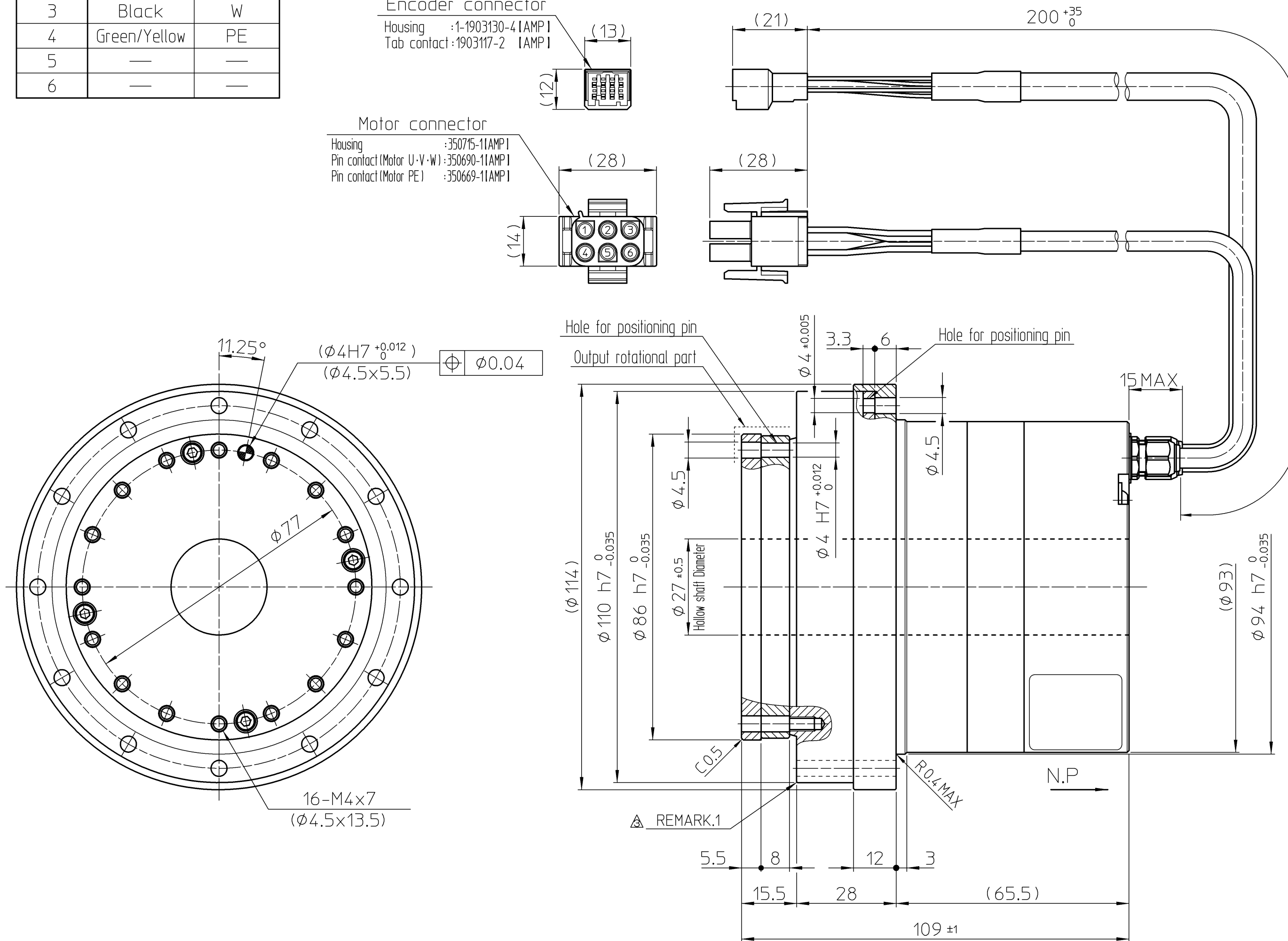
Pin No.	Color	Name
1	Red	U
2	White	V
3	Black	W
4	Green/Yellow	PE
5	—	—
6	—	—

Encoder connector

Pin No.	Color	Signal	Pin No.	Color	Signal
1A	Red	Vcc	1B	Black	GND (Vcc)
2A	Yellow	SD+	2B	Blue	SD-
3A	—	—	3B	Shield	FG
4A	Orange	Vbat	4B	Gray	GND (bat)

Encoder connector
Housing :1-1903130-41AMP1
Tab contact :1903117-2 1AMP1

Motor connector
Housing :350715-11AMP1
Pin contact (Motor U·V·W) :350690-11AMP1
Pin contact (Motor PE) :350669-11AMP1



REMARKS

- △ 1. In case of using the following area as a mounting pilot, please undercut its counterpart.
- 2. Designing and/or Handling of HarmonicDrive® Actuators has to comply with technical information shown in HarmonicDrive® Catalog.
- 3. Extension Cables : IEWD-MB Series | IEWD-S Series |
- 4. Registered Trademark in Japan.

CUSTOMER DRAWING NO.

PROPRIETORSHIP
This drawing (document) is the **PROPERTY** of Harmonic Drive Systems, Inc. and shall not be traced, otherwise copied or used for purposes other than agreed upon, nor communicated to any third party without written permission of Harmonic Drive Systems, Inc.

訂正 REV	3	来歴 DESCRIPTION	Change drawing to comply with actual product. Add a Remark.	設計 DESIGN	T.ICHIKAWA	Nov- 3-14	タイトル TITLE	
仕様 SPEC				検出 VRFD	T.Hirabayashi	Nov- 3-14	製品名 ARTICLE	SHA25A***SG-B09A200-10S17bA-C
機械加工 公差	0.5 6 30 120 315 1000		備考 REMARKS	承認 APPD	T.HAGIWARA	Nov- 3-14		
GENERAL TOLERANCE	± 0.05 ± 0.1 ± 0.2 ± 0.3 ± 0.5 ± 0.8 ± 1.2		無記号表面アラサ SURFACES MARKED EXCEPT AS NOTED					

図番 DWG No	B2T0025 - C