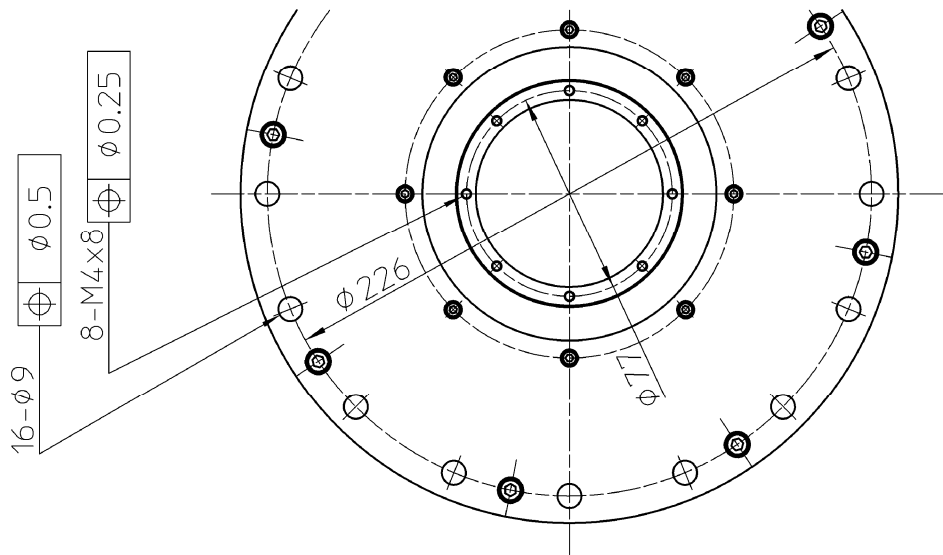
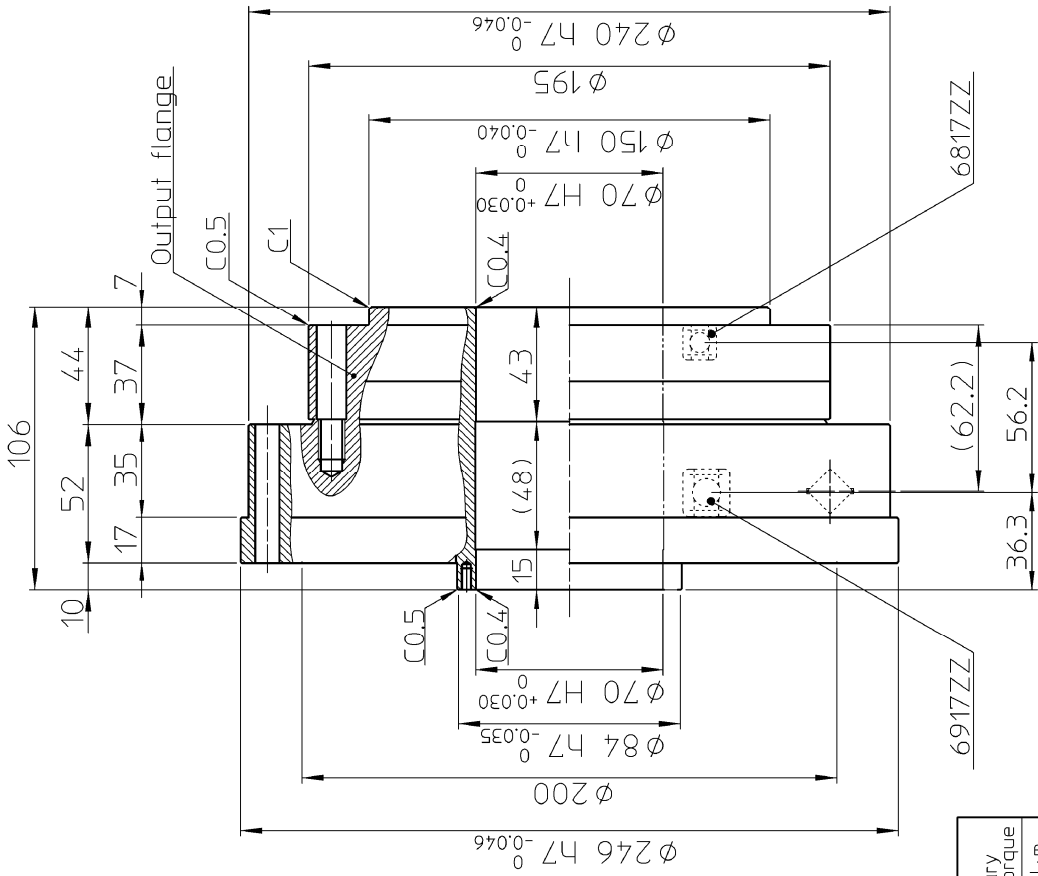


16-φ9
8-M4x8
φ0.25
φ0.5



Rated Torque at 2000r/min	Limit for Repeated Peak Torque	Limit for Average Torque	Limit for Momentary Peak Torque
696 N·m	1590 N·m	1060 N·m	3180 N·m

PROPRIETORSHIP
This drawing (document) is the **PROPERTY** of Harmonic Drive Systems, Inc. and shall not be traced, otherwise copied or reproduced, stored in a retrieval system, or transmitted to any third party without written permission of Harmonic Drive Systems, Inc.

REMARKS

Lubrication : Harmonic Drive Grease SK-1A
 Cross Roller Bearing Harmonic Grease 4B No.2
 Designing and/or Handling of Harmonic Drive Gears (Harmonic Actuators) has to comply with technical information shown in Harmonic Drive Catalog.

CUSTOMER DRAWING NO.

訂正 REV	仕様 SPEC	変更 DESCRIPTION	尺 寸 SCALE	1:2	第 三 角 THIRD ANG	設計 DESIGN	S. Momose	Nov- 1-'12	タイ トル TITLE	ASSEMBLY DRAWING
						検 査 CHECKED	E. Kidooka	Nov- 1-'12	製品 名 ARTICLE	SHF-58-100-2UH-LW
						承認 APPROVED	H. Tukahara	Nov- 1-'12	図 番 DWG No	C2A4480