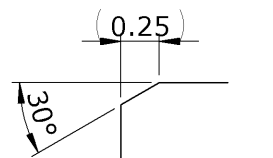
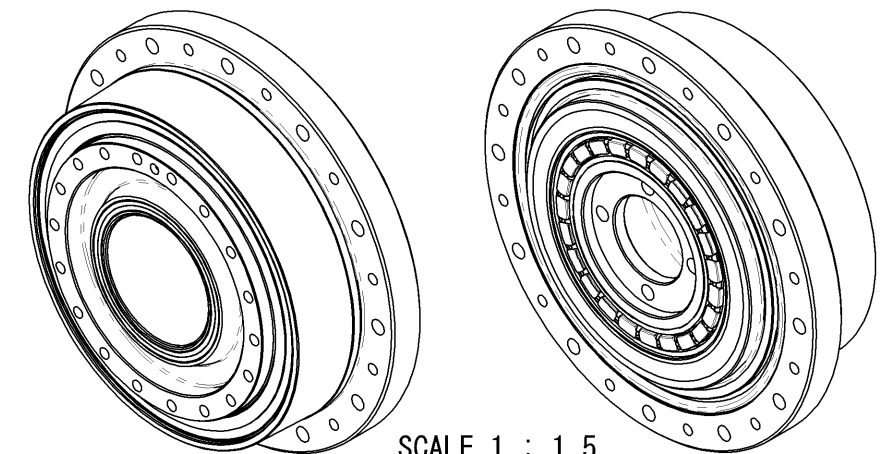


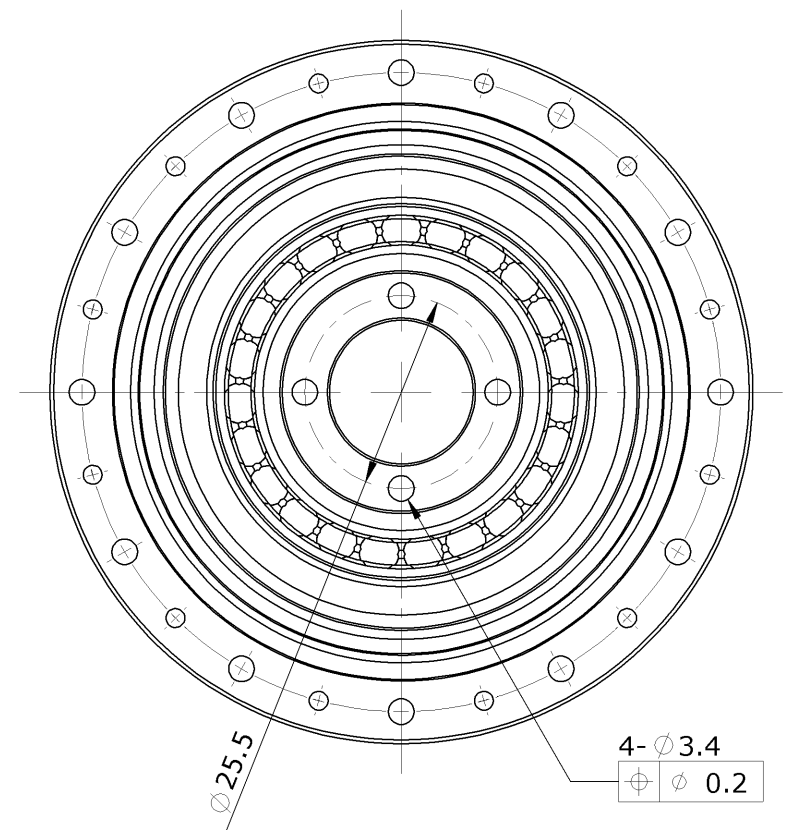
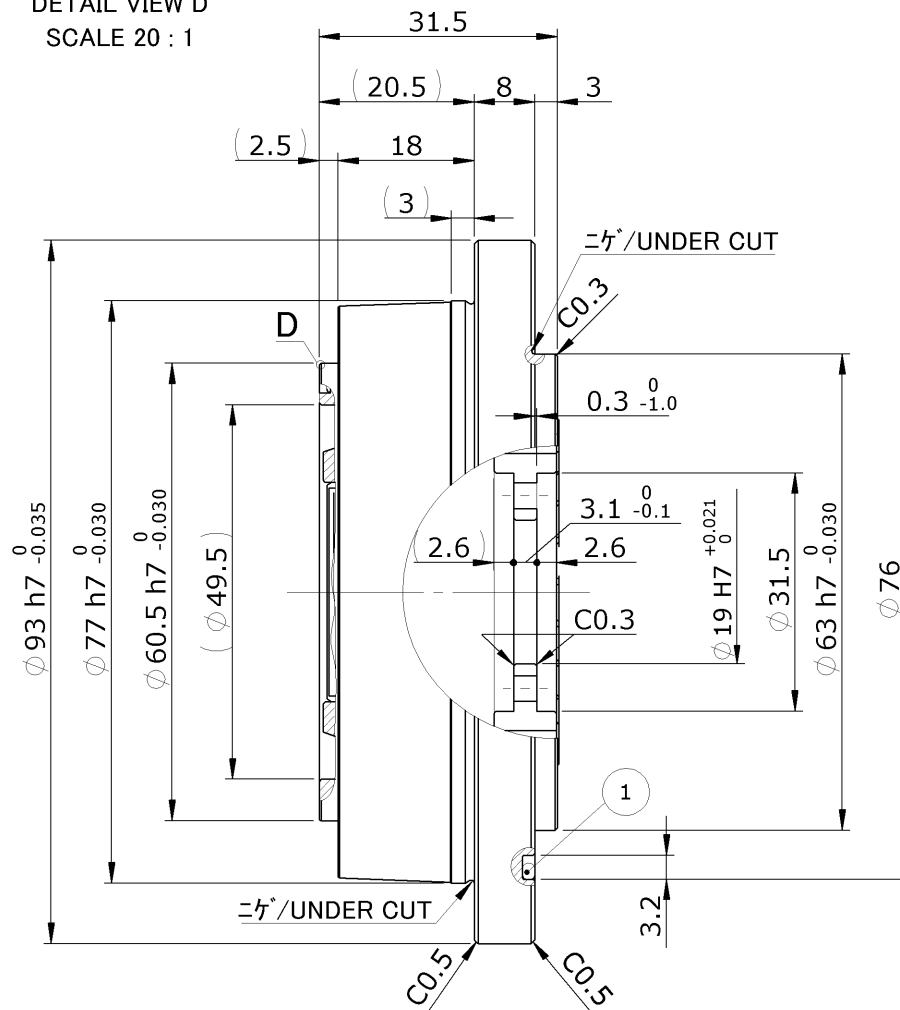
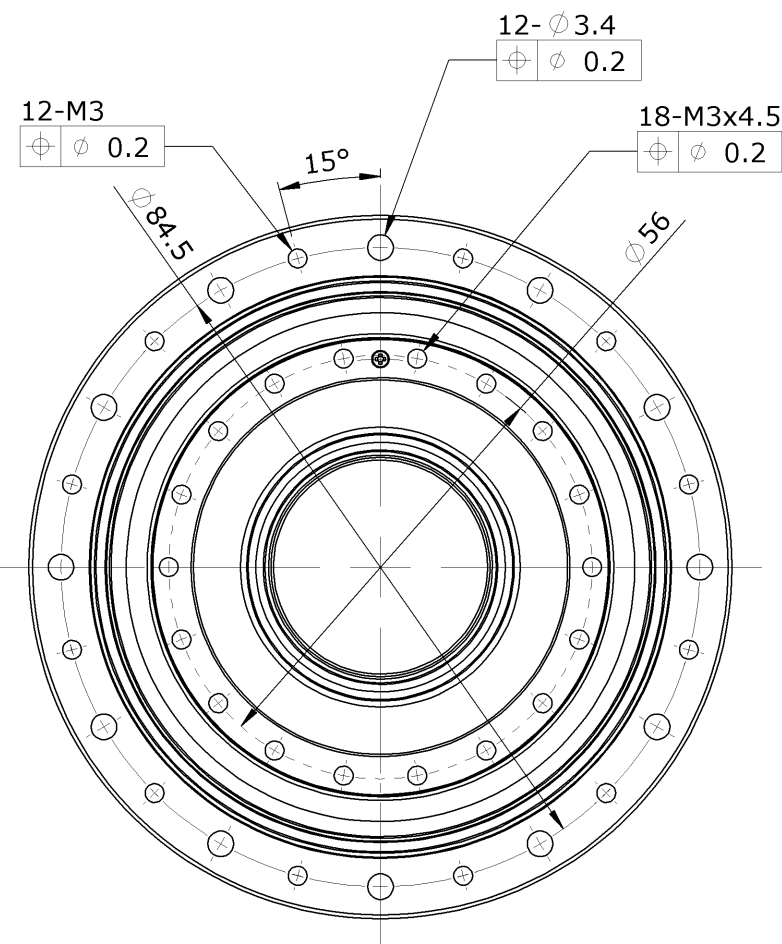
| ITEM NO. | PARTS | SIZE | QTY. | NOTE |
|----------|--------------|-------|------|---------------------------|
| 1 | リング / O-RING | d72x2 | 1 | 添付品 / ENCLOSED IN THE BOX |



DETAIL VIEW D
SCALE 20 : 1



SCALE 1 : 1.5



注記 / REMARKS

| | | |
|---|---|--|
| 1 | ウェーブジェネレータ / WAVE GENERATOR | リジッドタイプ / RIGID TYPE |
| 2 | 潤滑 / LUBRICATION | 減速部 / HarmonicDrive® GEAR 主軸受部 / MAIN BEARING |
| | | ハーモニックグリース® SK-1A / HarmonicGrease® SK-1A マルテンプ HL-D / Multemp HL-D |
| 3 | 出力回転部外径(低速回転側) / OUTPUT DIAMETER OF ROTATIONAL PART (LOW-SPEED ROTATION SIDE) | |

設計、取り扱いについてはカタログを参照してください。

DESIGNING AND/OR HANDLING OF HarmonicDrive® GEARS(HarmonicDrive® ACTUATORS) HAS TO COMPLY WITH TECHNICAL INFORMATION SHOWN IN HarmonicDrive® CATALOG.

| REV | DESCRIPTION | DESIGN | DATE | TITLE |
|---|--|------------|---|------------------------------|
| 訂正 | 来歴 | S.Nagahara | 2021/05/28 | 納入仕様図 / CONFIRMATION DRAWING |
| 標準 | SPEC 仕様 | K.FURUTA | 2021/05/28 | ARTICLE 製品名 |
| | | N.Tanioka | 2021/05/28 | CSF-20-100-2UH-ULW |
| GENERAL TOLERANCE | REMARKS : CHAMFER UNSPECIFIED SHARP CORNERS 0.25 / ALL UNSPECIFIED RADII TO BE 0.5 MAX | DWG SIZE | UNIT | THIRD ANG |
| 0 0.5 6 30 120 315 1000 | 備考 特記無き角はC0.2以下、すみのみはR0.4以下 | A3 | mm | |
| 0.5 6 30 120 315 1000 2000 | SURFACES MARKED EXCEPT AS NOTED | | | |
| ±0.05 ±0.1 ±0.2 ±0.3 ±0.5 ±0.8 ±1.2 | 50S 25S 6.3S | | | |
| | 無記号表面アラサ | | | |
| PROPRIETORSHIP This drawing (document) is the PROPERTY of Harmonic Drive Systems, Inc. and shall not be traced, otherwise copied or used for purposes other than agreed upon, nor communicated to any third party without written permission of Harmonic Drive Systems, Inc. Registered Trademark in Japan. | | | | |
| DESIGN 設計 S.Nagahara 2021/05/28 VRFD 検図 K.FURUTA 2021/05/28 APPD 承認 N.Tanioka 2021/05/28 | | | HARMONIC DRIVE SYSTEMS INC TOKYO JAPAN | |
| DWG No 図番 C009530 | | | | |