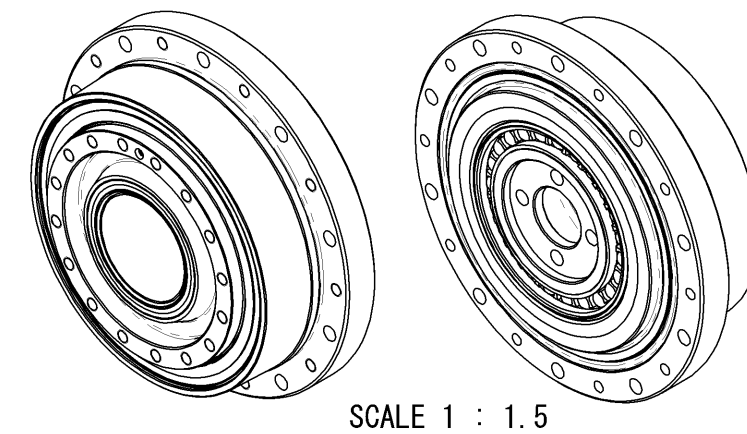
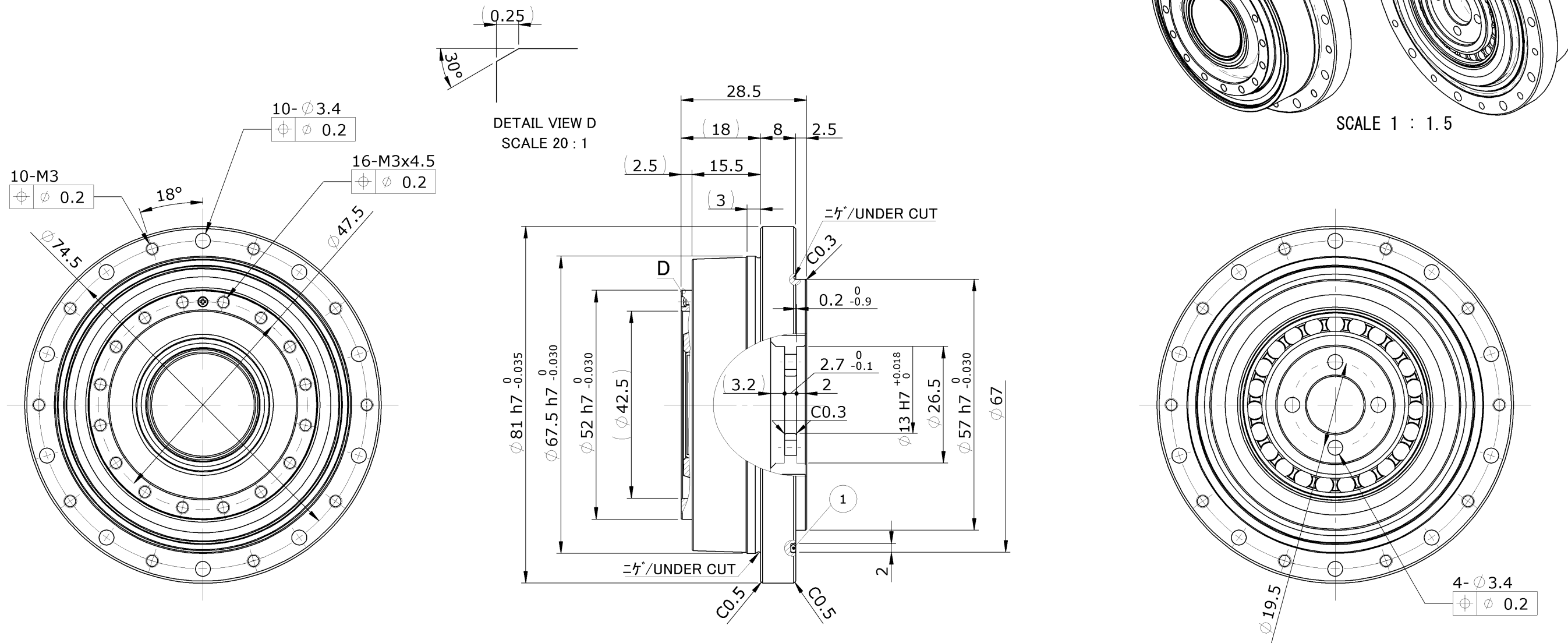


ITEM NO.	PARTS	SIZE	QTY.	NOTE
1	Oリング / O-RING	d64x1.5	1	添付品 / ENCLOSED IN THE BOX



注記 / REMARKS

1	ウェーブジェネレータ / WAVE GENERATOR	リジッドタイプ / RIGID TYPE
2	潤滑 / LUBRICATION	減速部 / HarmonicDrive® GEAR 主軸受部 / MAIN BEARING
		ハーモニックグリース® SK-2 / HarmonicGrease® SK-2 マルテンプ HL-D / Multemp HL-D
3	出力回転部外径(低速回転側) / OUTPUT DIAMETER OF ROTATIONAL PART (LOW-SPEED ROTATION SIDE)	

設計、取り扱いについてはカタログを参照してください。

DESIGNING AND/OR HANDLING OF HarmonicDrive® GEARS(HarmonicDrive® ACTUATORS) HAS TO COMPLY WITH TECHNICAL INFORMATION SHOWN IN HarmonicDrive® CATALOG.

REV	訂正	DESCRIPTION	来歴	DESIGN	S.Nagahara	2021/05/28	TITLE	納入仕様図 / CONFIRMATION DRAWING
標準		SPEC	仕様	SCALE	1:1	VRFD	K.FURUTA	2021/05/28
GENERAL TOLERANCE	0	0.5	6	30	120	315	1000	REMARKS : CHAMFER UNSPECIFIED SHARP CORNERS 0.25 / ALL UNSPECIFIED RADLL TO BE 0.5 MAX
機械加工無記号公差	0.5	6	30	120	315	1000	2000	備考 特記無き角はC0.2以下、すみのみはR0.1以下
	±0.05	±0.1	±0.2	±0.3	±0.5	±0.8	±1.2	SURFACES MARKED EXCEPT AS NOTED
					50S	25S	6.3S	無記号表面アラサ
PROPRIETORSHIP This drawing (document) is the PROPERTY of Harmonic Drive Systems,Inc. and shall not be traced, otherwise copied or used for purposes other than agreed upon, nor communicated to any third party without written permission of Harmonic Drive Systems,Inc.				DWG SIZE	A3	UNIT	mm	THIRD ANG
				DESIGN	S.Nagahara	2021/05/28	TITLE	納入仕様図 / CONFIRMATION DRAWING
				VRFD	K.FURUTA	2021/05/28	ARTICLE	製品名
				APPD	N.Tanioka	2021/05/28		CSF-17-100-2UH-ULW
							DWG No	C009525
							図番	